



**Department of Electrical and Electronic  
Engineering**

*INFE 221*

*Electrical Circuits*

*Sixth Lab Session*

**Multisim**

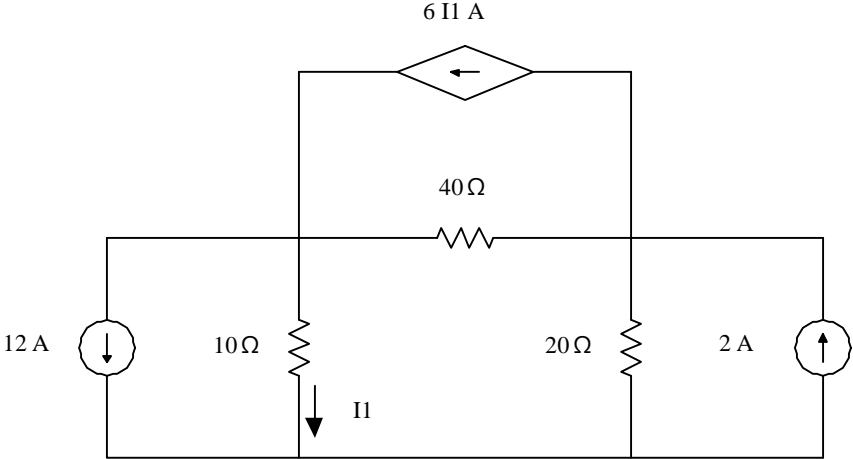
*Student Name*

*Student Number*

.....

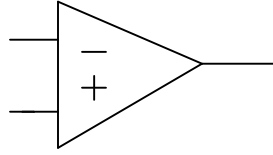
.....

**Example:(Current-controlled-current-source)Write a program to give value of I1.**



## OPERATIONAL AMPLIFIERS

- Modeling Op Amps with resistors and dependent sources.

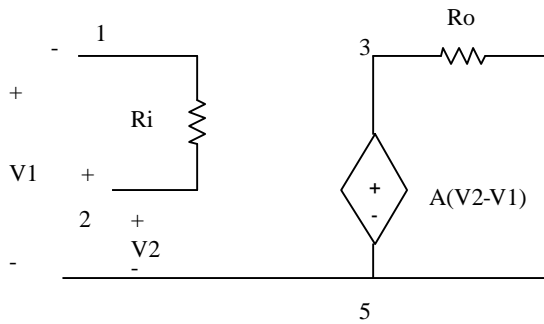


Pspice description of equivalent circuit

Ri      1 2    Value of Ri  
 Ro      3 4    Value of Ro

Value of A

The equivalent circuit:



Example: Use multisim to find  $V_o$

