



EASTERN MEDITERRANEAN UNIVERSITY

DEPARTMENT OF ELECTRICAL AND ELECTRONIC

ENGINEERING

EENG342 ELECTRONICS II

Fall 2019

EXPERIMENT 1

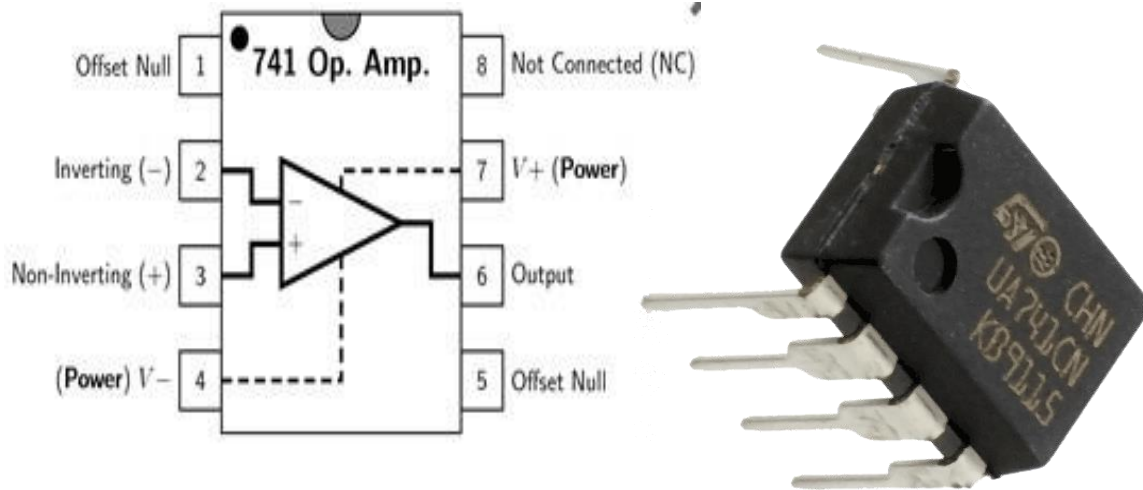
VOLTAGE FOLLOWER

Name	Std. Number

Group No.:.....

Date:.....

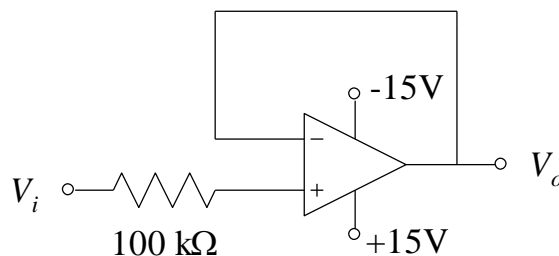
Op Amp 741 pin configuration



Object: An understanding of the behavior of a voltage follower.

Part 1

Step 1: Construct the circuit shown below.



Step 2: Apply $1\text{ V}_{\text{p-p}}$ sinewave (1k Hz) as an input signal.

Oscilloscope Settings:

CH 1 (V_i)	: 0.5 VOLTS/DIV	AC Coupling
CH 2 (V_o)	: 0.5 VOLTS/DIV	AC Coupling
TIME	: 0.5 m SEC/DIV	

Step 3: Using the given oscilloscope settings sketch and label V_i and V_o to the provided graph paper.



Channel 1

X axis (sec/DEV) :.....

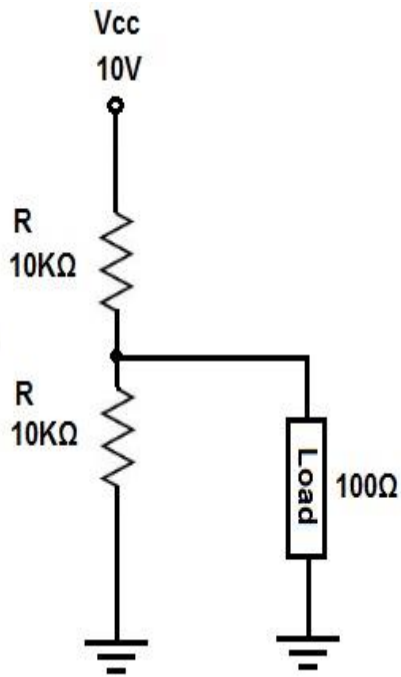
Y axis (volts/DEV) :.....

Channel 2

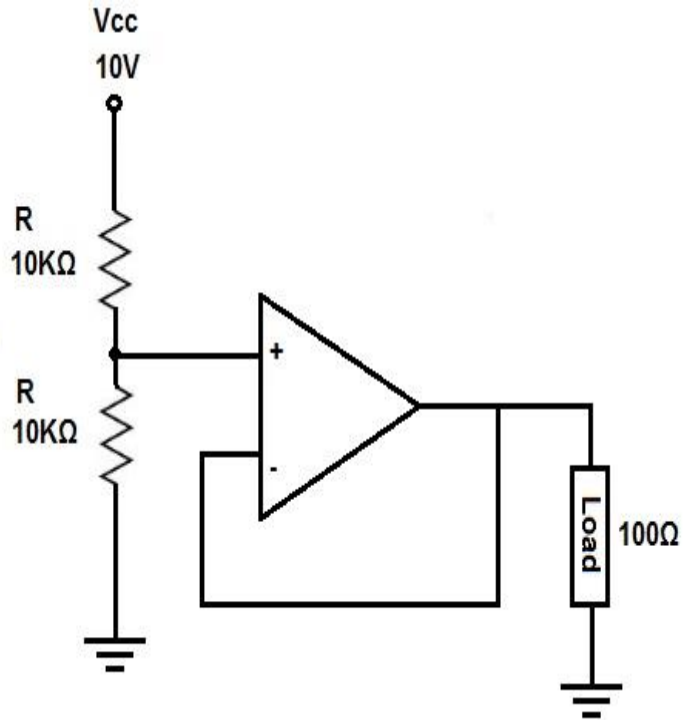
X axis (sec/DEV) :.....

Y axis (volts/DEV) :.....

Part 2



Circuit 1



circuit 2

It is required to drive the load shown in figure by 5 volts.
Construct the 2 configurations and using the lab sets find the voltage across the load for the 2 circuits.

1. Which circuit works as voltage divider and drives the load?
2. Justify your answer?

.....

.....

.....

.....

.....

.....

.....

.....

.....

.....

.....